

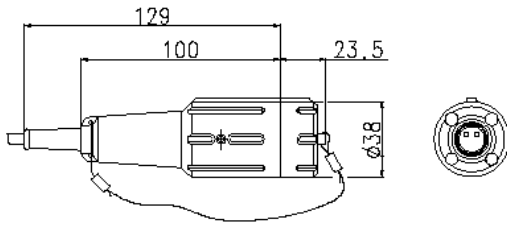


# CTOS

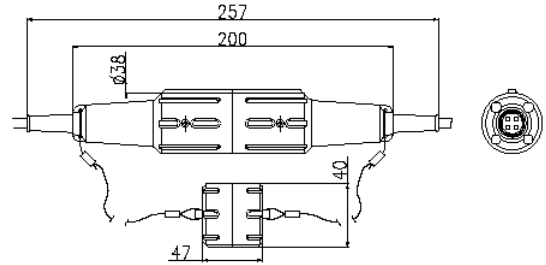
# 976 Series

## Line Drawings (dimensions in mm)

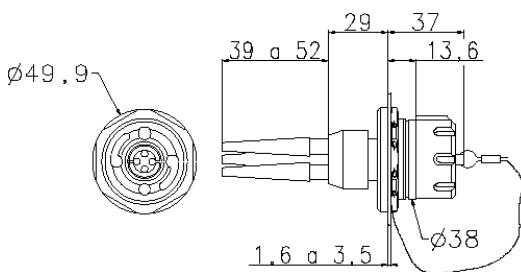
CTOS plug with protective cap



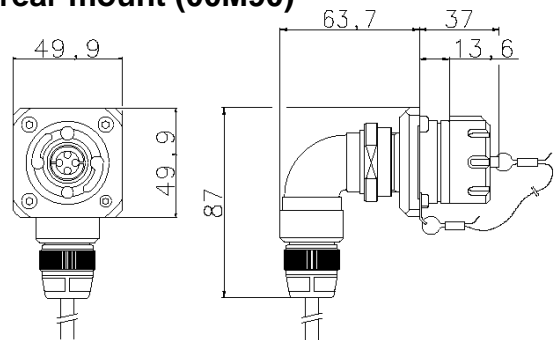
CTOS plug to plug and caps mated



CTOS "jam nut" receptacle – rear mount (77P)



CTOS square flange receptacle with 90° Backshell for tactical cable – rear mount (00M90)



## How to order :

CTOS – XXXX – XX – X – XX – X – XXX – XXX

CTOS : 976 series

- Plug for tactical cable : 06M
- Square flange receptacle for pig-tails : 00P
- Jam nut receptacle for pig-tails : 77P
- Flange receptacle for tactical cable : 00M
- Jam nut receptacle for tactical cable : 77M
- Shunt attenuating cap (4dB) : BSA\*
- Protective shunt attenuating cap (25dB) : BPSA\*
- \* : multimode only

- Straight backshell : 00
- Right angle backshell : 90

Number of channels  
2 channels : 2    4 channels : 4

- BPF : Cap for plug
- BPE : Cap for Jam Nut Receptacle
- BPP : Cap for Square Flange Receptacle

All cables are tight jacket.  
28 : O.D. patchcord 2.8 mm  
55 : O.D. tactical 5.5 mm  
230 : scindex O.D. cable 2 x 3 mm  
Other cables possible.

- Y : Wavelength 1300 nm
- Z : Wavelength 840 – 1300 nm
- V : Wavelength 1550 nm
- W : Wavelength 1300 – 1550 nm

- 01 : 50/125 µm
- 02 : 62.5/125 µm
- 05 : 9/125 µm singlemode
- 15 : 9/125 µm singlemode HRL

**Amphenol**